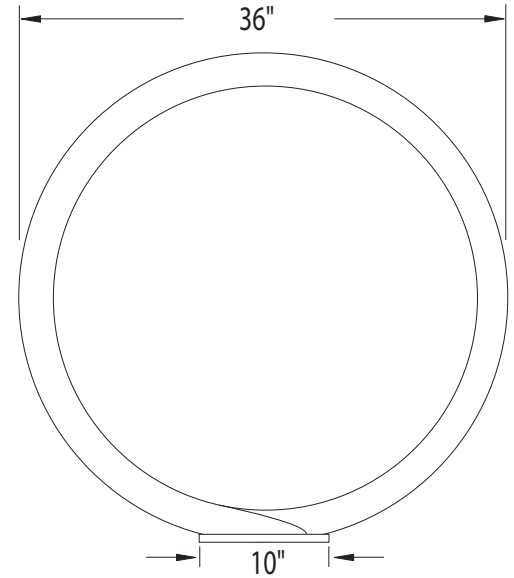
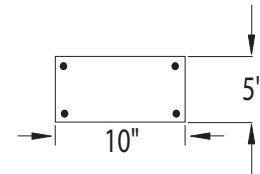


Rack Side View



Rack Front View



Flange Top View

| WELLE SPIRAL RACK |                     |           |               |           |            |           |            |
|-------------------|---------------------|-----------|---------------|-----------|------------|-----------|------------|
| Model             | Mount               | #Of Loops | Bike Capacity | Length IG | Front View | Length SF | Front View |
| WSR04             | -SF Surface Flange  | 2         | 4             | 51"       |            | 58"       |            |
|                   | -IG Inground        |           |               |           |            |           |            |
| WSR06             | <b>Finish</b>       | 3         | 6             | 75"       |            | 84"       |            |
|                   | -G Galvanized       |           |               |           |            |           |            |
| WSR08             | -P Powder Coated    | 4         | 8             | 99"       |            | 110"      |            |
|                   | -SS Stainless Steel |           |               |           |            |           |            |

| MATERIAL   | INGROUND  | FLANGE   | FINISH   |
|--|---|--|--|
| Hoop<br>2.375" O.D. X 0.154" Wall<br>Mild Steel Schedule 40 Pipe | 12" Schedule 40 Pipe<br>Extensions 3/8" x 6" Solid Rod<br>Cross Members | 5" x 10 x 3/8" Steel Plate with (4) 9/16"<br>Hole Mounted with Four 1/2" x 3.5"<br>Steel Anchor Rawl Spike | Galvanized<br>Powder Coated<br>Stainless Steel |