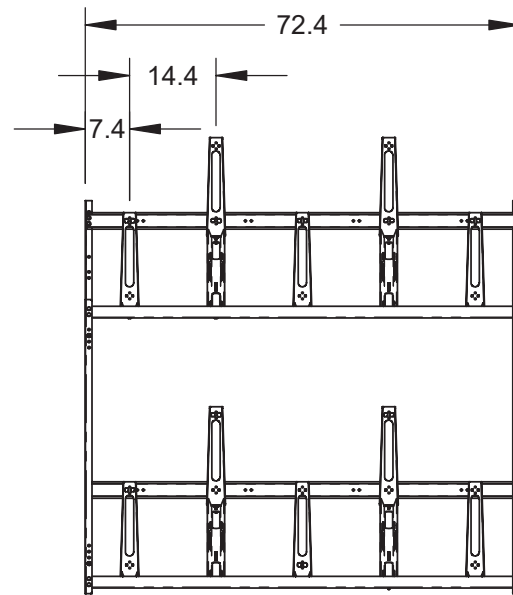
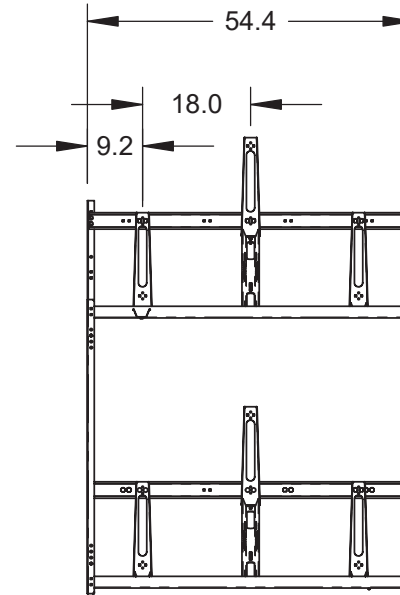


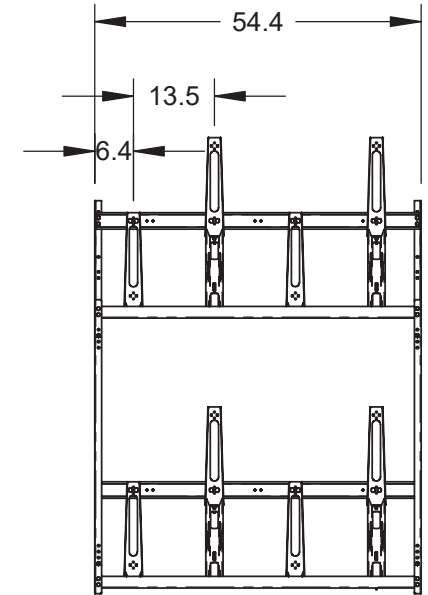
**8080
8180**



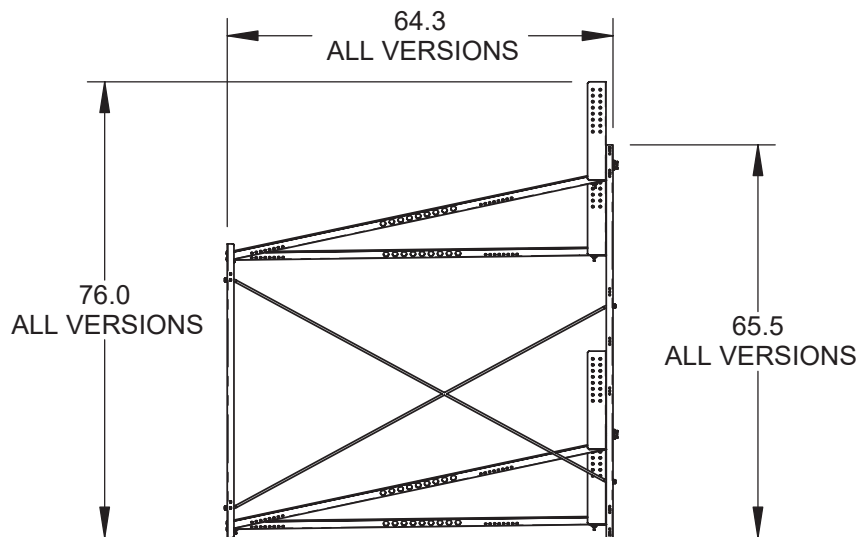
**8010
8110**



**8016
8116**



**8018
8118**



**8080, 8180
8010, 8110
8016, 8116
8018, 8118**

NOTE:

1. DO NOT SCALE DRAWING.
2. INTALLATION TO BE COMPLETED IN ACCORDANCE WITH MANUFACTURER'S SPECIFICATIONS.
3. MINIMUM CEILING HEIGHT - 8' 0".

1728 Ocean Avenue #132
San Francisco CA 94112
T: 415-333-6428

PALMER GROUP LLC

www.bikeparking.com
E: info@bikeparking.com

Made by Saris

STRETCH PARKING RACK