



## Stretch Rack

Made by Saris

### Tools Required

- Tape Measure
- 9/16" deep wall socket
- 7/16" deep wall socket
- Socket wrench

### Parts list:

	10 Bike	8 Bike	6 Bike
A. Tall Angle Iron (rear corner)	2	2	2
B. Short Angle Iron (front corner)	2	2	2
C. U-Channel, Back Horizontal	2	2	2
D. L-Channel, Front Horizontal	2	2	2
E. Horizontal Wheel Tray	10	8	6
F. Vertical Wheel Stabilizer	10	8	6
G. Cross Brace (Gold)	4	4	4
H. Lockbar (models 8100 series only)	10	8	6
I. Bolt 1/2"	40	36	32
J. Bolt 1.5"	20	16	12
K. Wheel stop	5	4	3
L. Washer	10	8	6
M. Kep nut 1/4"	60	52	44
N. Lock nut 3/8"	8	8	8

### Hardware



I- Bolt 1/2"



J- Bolt 1.5"



K- Wheel Stop



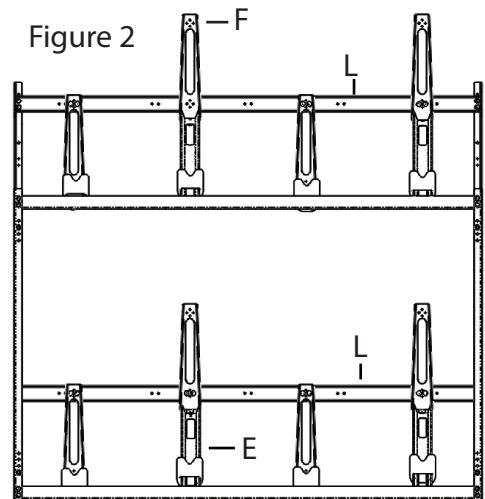
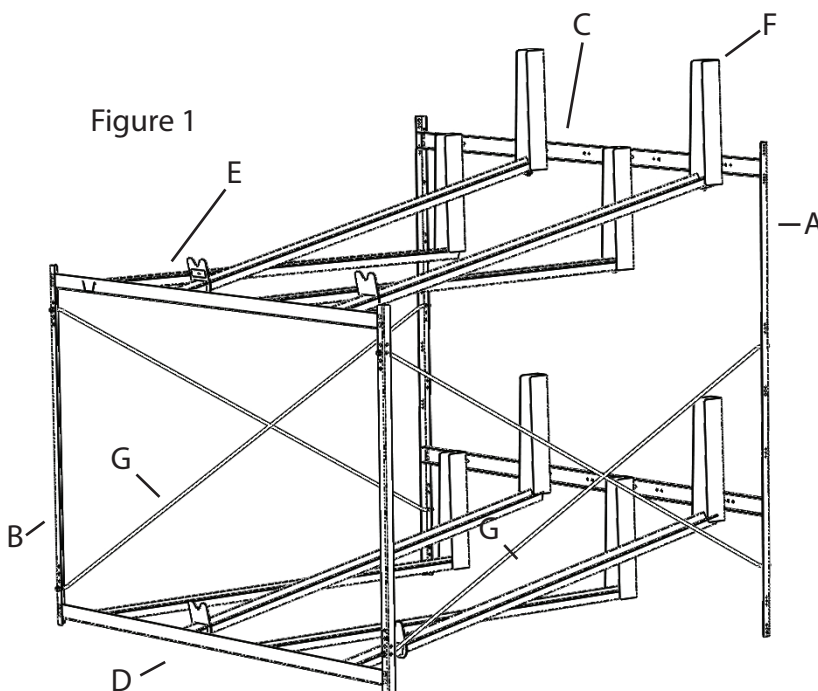
L- Washer



M- Kep nut 1/4"



N- Lock nut 3/8"



## Step 1: Rear Frame Assembly

Using rear vertical corner (part A) attach U-channels (part C) as seen in Figure 3 and 3a. Mount bottom U-channel 15 3/4" from floor. Mount top U-channel 60 3/4" from floor. Finger tighten with 1.5" carriage bolts (hardware I) and Kep nuts (hardware M).

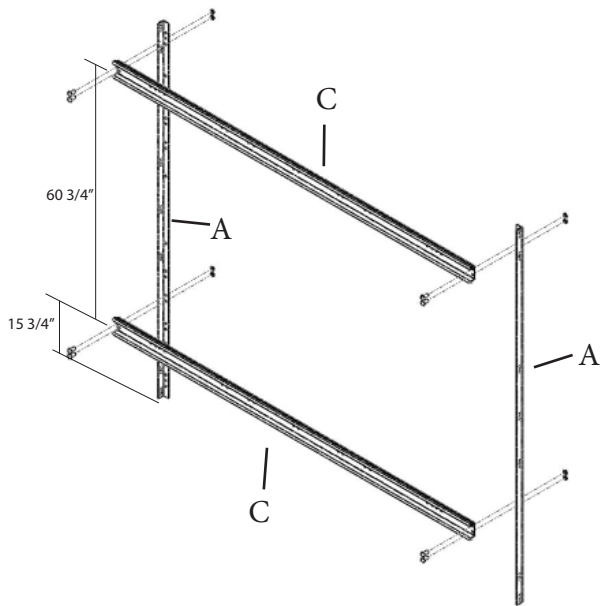


Figure 3

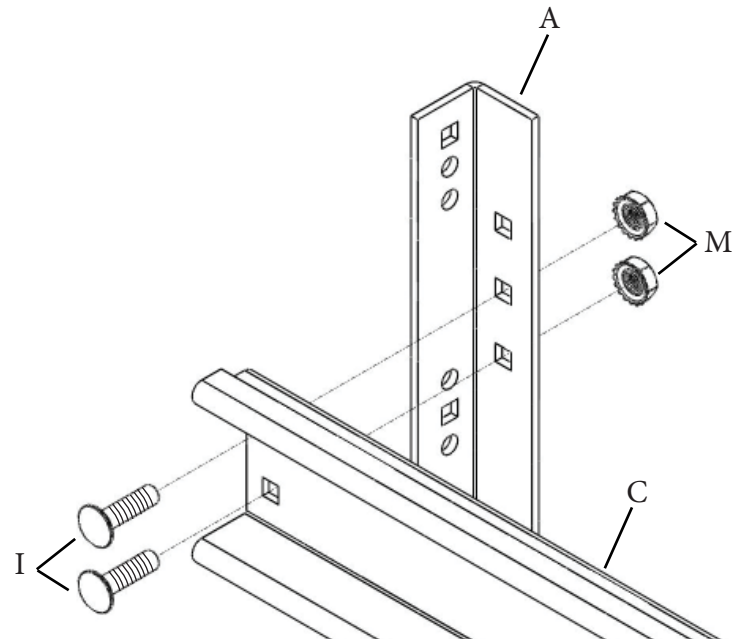


Figure 3a

## Step 2: Front Frame Assembly

Using front vertical corner (part B) attach L-channel (part D) as seen in Figure 4 and 4a. Mount bottom L-channel 1 1/8" from floor. Mount top L-channel 46 1/8" from floor. Finger tighten with 1.5" carriage bolts (hardware I) and Kep nuts (hardware M).

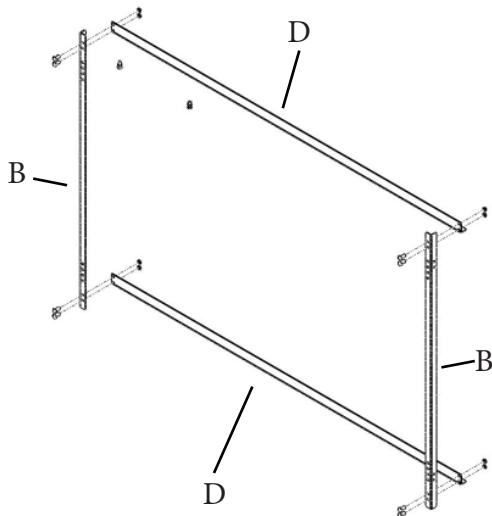


Figure 4

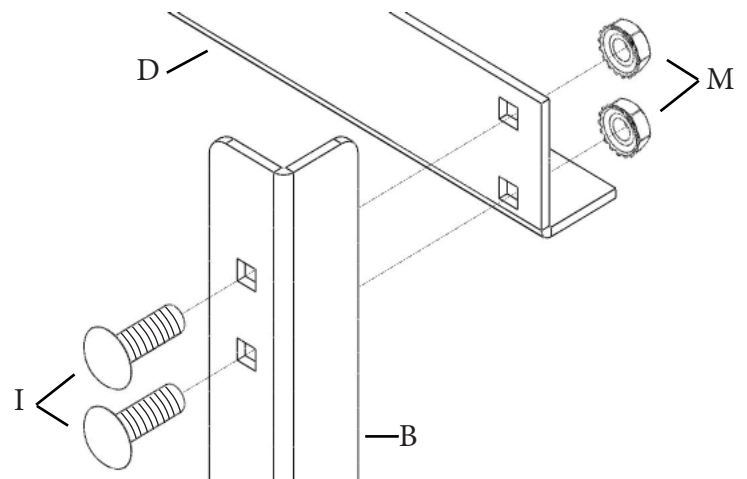


Figure 4a

### Step 3: Attaching Front and Rear Frames

First attach two cross rods (part G) to front vertical corner at 5" and 42" from floor using 3/8" Locknut (hardware N). Next attach the other end of the cross rods to rear vertical corner (part A) at 9 1/2" and 38 1/2" from the floor as seen in figure 5. Repeat assembly for second side. Locations of cross rods on front vertical corners are adjustable to set rack parallel to wall.

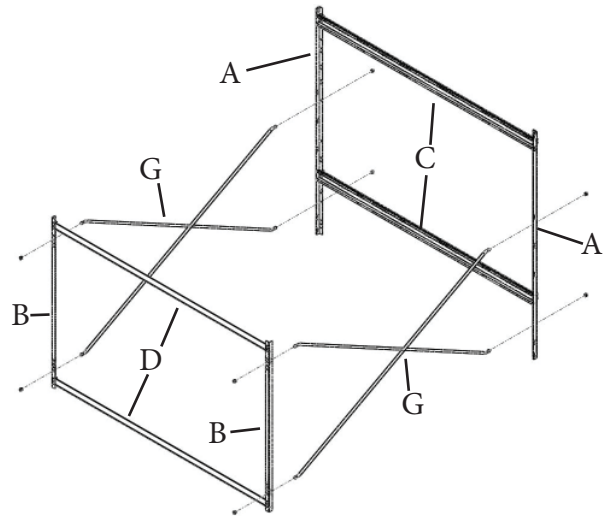


Figure 5

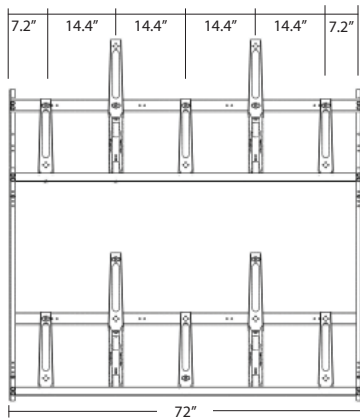
### Step 4: Planning Bike Tray Layout

Alternate wheel trays from raised position to flat position to space handlebars and minimize interference with adjacent bikes.

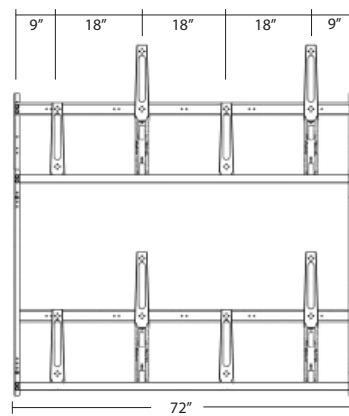
Bike Tray Requirements:

	10 bike, 8010,8110	8 bike, 8080*,8180*	8 bike, 8018,8118	6 bike*, 8016*,8116*
Flat trays needed	6	4	4	4
Raised trays needed	4	4	4	2
Bike spacing	14.4"	18"	13.5"	18"

\*These models can be upgraded to hold an additional 2 bikes per rack by reducing bike spacing.



10 bike (8010, 8110)  
Figure 6



8 bike (8018, 8118)  
Figure 6a

**Note:** For multiple units, assembly should be modified to continue staggered positions. Four additional bolt "I" and nut "M" are included to connected parts "A" and "B" for adjacent setups.

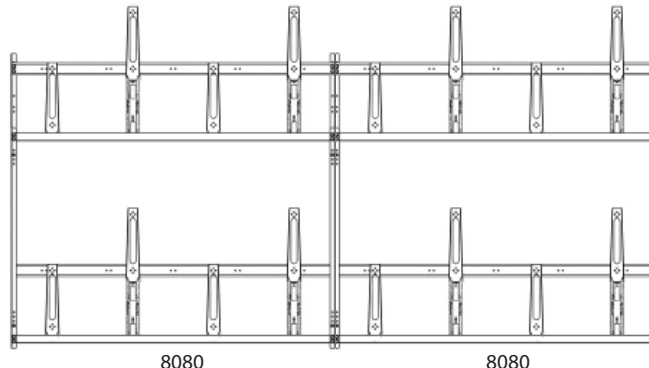


Figure 7

## Step 5: Bike Tray Assembly

Flat tray assembly:

Attach horizontal wheel tray (part E) to Vertical Wheel Stabilizer (part F) using the second square hole from the end. Use a 1.5" carriage bolt, washer and kep nut, finger tighten.

Figure 8

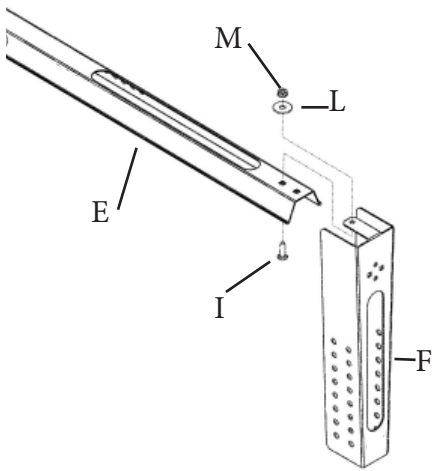
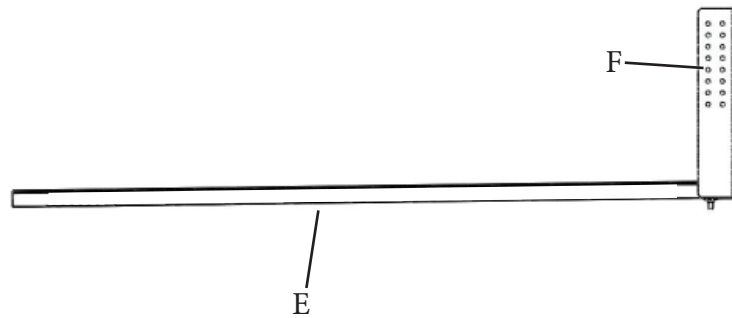


Figure 8a



Raised tray assembly :

Attach horizontal wheel tray (part E) to vertical wheel stabilizer (part F) using the first square hold from the end. Use 1.5" carriage bolt, washer, and kep nut, finger tighten.

Figure 9

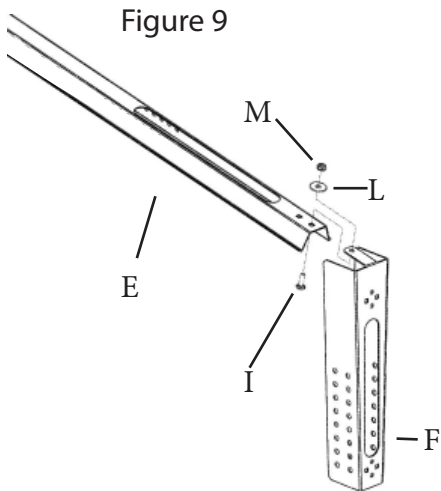
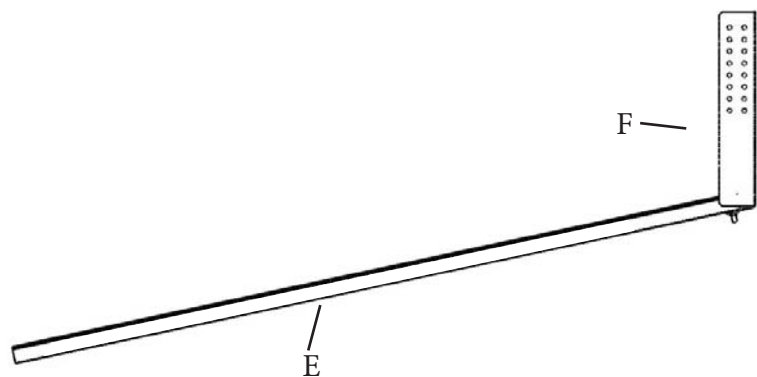


Figure 9a



## Step 6: Mounting bike trays to frame

Flat tray attachment:

Using a flat tray assembly from step 5, attach front L-channel (part D) through round hole located second from the end on the bike tray. Attach vertical tray through top mounting holes to rear U-channel (part C) using 1.5" bolts and nuts. See Figure 1.

Figure 10

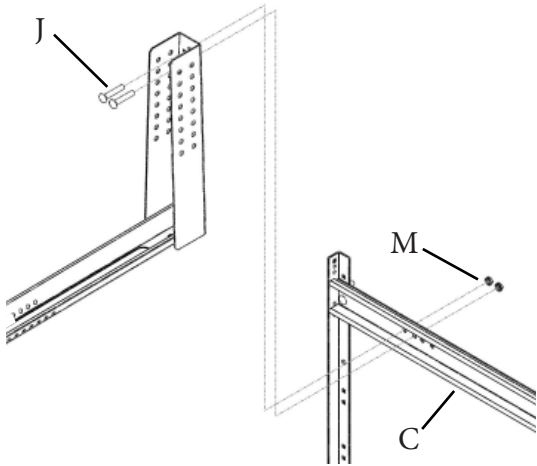


Figure 10a

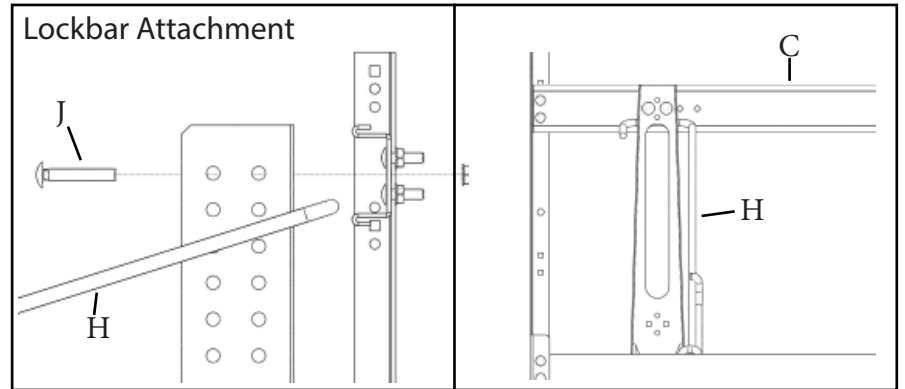
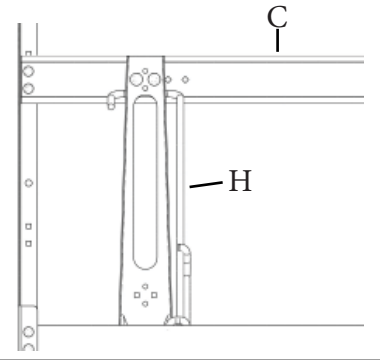


Figure 10b



Raised tray attachment:

Using a raised tray assembly from step 5, attach to front L-channel (part D) through round hole located closest to end on the bike tray. Slide wheel stop (part K) onto end of horizontal wheel tray. Attach vertical tray through bottom mounting holes to rear U-channel (part C) using 1.5" bolts and nuts. See figure 11 and 11a for spacing.

Figure 11

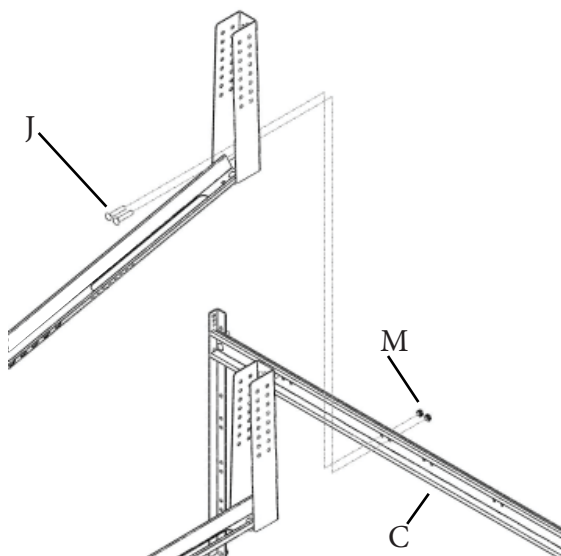


Figure 11a

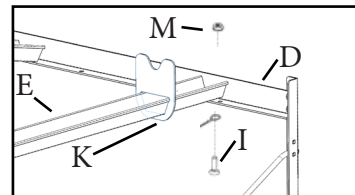


Figure 11b

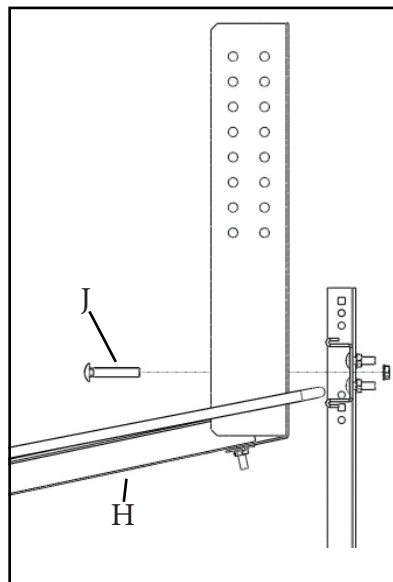
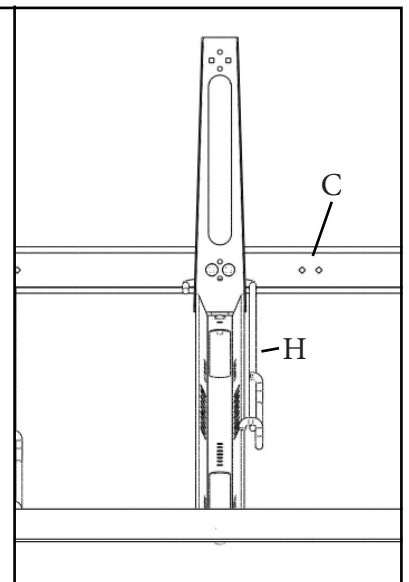


Figure 11c



## Step 7: Final check

Double check location and assembly of all parts. Reference figure 1. Then tighten down all nuts snugly with ratchet. Move rack into final location.

Adjust cross braces as needed to ensure the rack is square and parallel to the back wall.

### User tips:

1. Always load bikes handlebars first. This will elevate the front wheel of every other bike, staggering the handlebars. Wider handlebars will work best when loaded in elevated bike positions.
2. Lock bikes with user-provided lock for any model as shown in figure 12.



Figure 12

## Warning

Manufacturer and seller expressly disclaim any and all liability for personal injury, property damage or loss, whether direct, indirect or incidental, resulting from the incorrect attachment, improper use, inadequate maintenance, or neglect of this product.

## Warranty

We warrant this product to the first consumer to be free from defect in material and workmanship for a period of one year from date of purchase. (Please retain your sales slip for your records.) Any product or part thereof found to be defective within that period will be replaced without charge provided that:(1) the product was not misused;(2) no alterations or modifications were made;(3) its failure resulted from defect in material or workmanship and not from normal wear expected in the use of the product;(4) the product or part is delivered, freight prepaid, to Saris Cycling Group. Manufacturer's only obligation shall be to replace such products or parts proved to be defective. Damage to mounting surface is not covered under warranty.

Made by Saris

Made in U.S.A  
16861D 6/17

Supplied by Palmer Group -- T: 415-333-6428 E: info@bikeparking.com