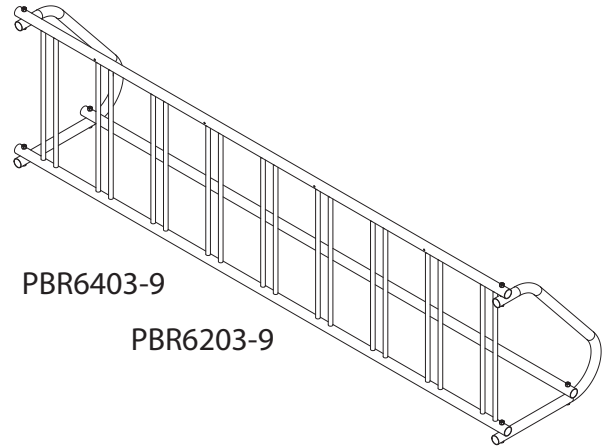
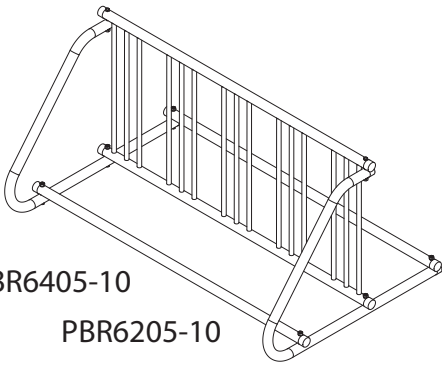


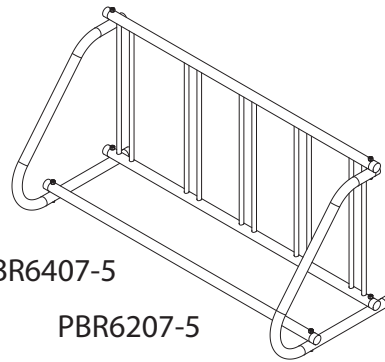
PBR6401-18
PBR6201-18



PBR6403-9
PBR6203-9



PBR6405-10
PBR6205-10



PBR6407-5
PBR6207-5

PORTABLE RACK			
Model	Description	Dimension	Weight
PBR6401-18	18 bk. Double-Sided	111"x38"x31"	91 lbs.
PBR6403-9	9 bk. Single-Sided	111"x26"x31"	69 lbs.
PBR6405-10	10 bk. Double-Sided	62"x38"x31"	59 lbs.
PBR6407-5	5 bk. Single-Sided	62"x26"x31"	41 lbs.

PORTABLE RACK			
Model	Description	Dimension	Weight
PBR6201-18	18 bk. Double-Sided	111"x38"x31"	80 lbs.
PBR6203-9	9 bk. Single-Sided	111"x26"x31"	59 lbs.
PBR6205-10	10 bk. Double-Sided	62"x38"x31"	46 lbs.
PBR6207-5	5 bk. Single-Sided	62"x26"x31"	38 lbs.

6400 Series

- Verticals are riveted to the frame (easy to replace if they get bent)
- Finished in a Gatorshield galvanization
- 18 gauge verticals (3/4" OD) 14 gauge frame (1.66" OD)

6200 Series

- Verticals are welded to frame (stiffer & stronger grid section)
- Finished w/ Ultra Seal. (Electroplating process that makes the rack 10 times more weather resistant than hot dip galvanized)
- 16 gauge Verticals (3/4" OD) 16 gauge frame (1.66" OD)

All PBR models require assembly. Bolt-together assembly takes about fifteen minutes or less.