



### BTWL01M-TRI

- \* 1 door, 1 bike capacity
- \* 75"L x 39"W x 48"H
- \* 4 Louvered Vents on each Locker
- \* Shipped Knocked Down. Assembly Required

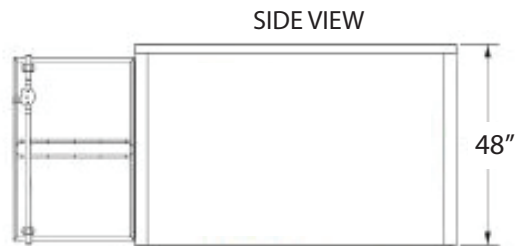
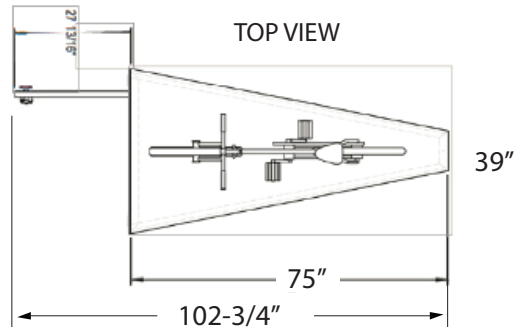
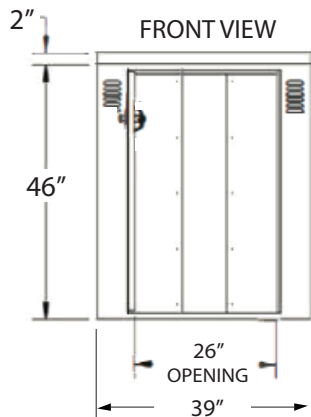
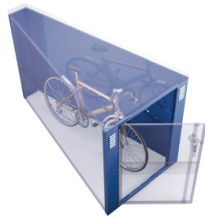
### MATERIALS:

**Exterior:** ASTM A591 16 gauge steel

**Interior:** ASTM A591 14 gauge steel

**Divider panels:** ASTM A591 18 gauge steel

**Door hinge:** ASTM A314 16 gauge steel

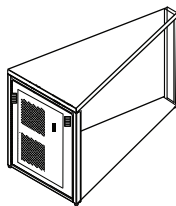


All panels and doors are press-break formed only. No welding.

### PERFORATION CHOICES: (additional cost)

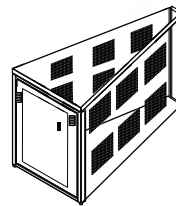
3/8" dia. offset holes

Perforated door

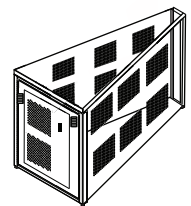


Perforated Door

Perforated side panel



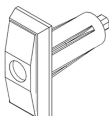
Perforated Side Panels



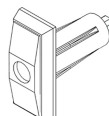
Perforated Door and Side Panels

### LOCKING CHOICES:

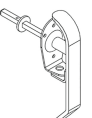
Pop-Out T-Handle for built-in key lock



Pop-Out T-Handle with Master Key Arrangement for built-in key lock (additional cost)



Pistol Grip Handle accepts padlock



**Bike Locker Quantity:** \_\_\_\_\_