



BTWL01M

- * 1 door, 1 bike capacity
- * 75"L x 30 "W x 48"H
- * 4 Louvered Vents on each Locker
- * Shipped Knocked Down. Assembly Required.

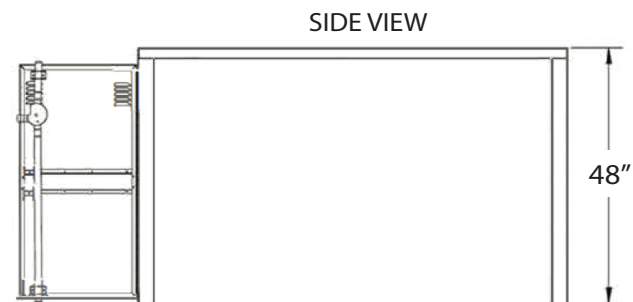
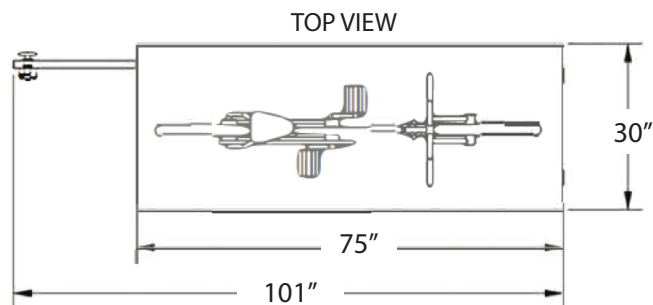
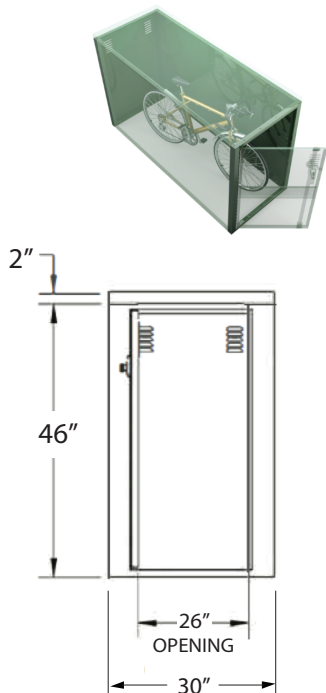
MATERIALS:

Exterior: ASTM A591 16 gauge steel

Interior: ASTM A591 14 gauge steel

Divider panels: ASTM A591 18 gauge steel

Door hinge: ASTM A314 16 gauge steel

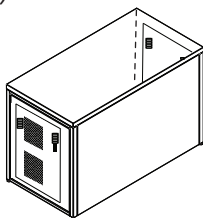


All panels and doors are press-break formed only. No welding.

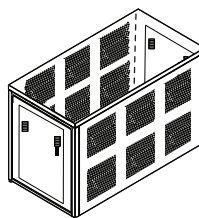
PERFORATION CHOICES: (additional cost)

3/8" dia. offset holes

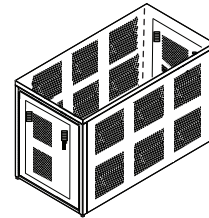
- Perforated door
- Perforated side panel
- Perforated back panel



Perforated Door



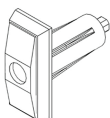
Perforated Side Panels



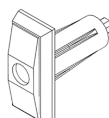
Perforated Door, Side Panels, and Back Panel

LOCKING CHOICES:

- Pop-Out T-Handle for built-in key lock



- Pop-Out T-Handle with Master Key Arrangement for built-in key lock (additional cost)



- Pistol Grip Handle accepts padlock



Bike Locker Quantity: _____